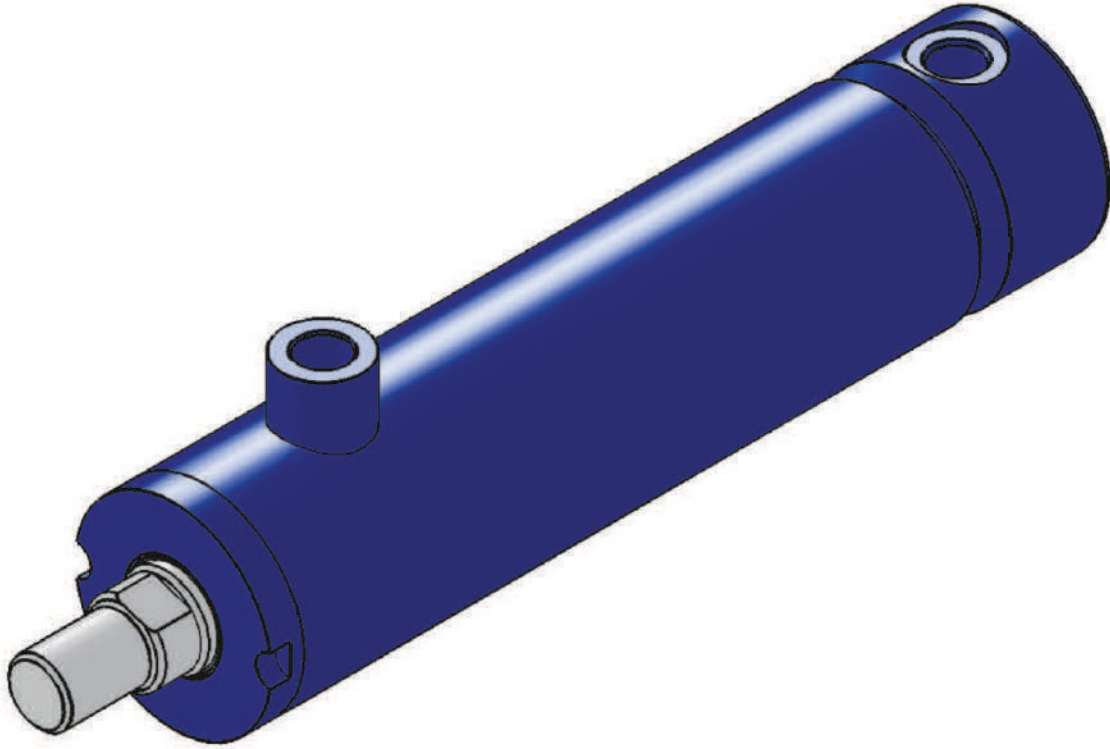


HİDROLİK SİLİNDİR GRUBU

Hydraulic Cylinder Group



TEKMAK BORU TİP HİDROLİK SİLİNDİR
TEKMAK PIPE TYPE HYDRAULIC CYLINDER

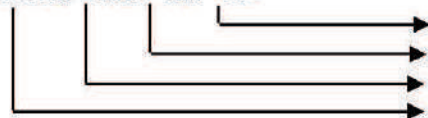
Ø40-Ø200 (TBTHS)

Sipariş nasıl verilir ? / How to Order ?

Model Silindir Çapı Strok / Model Clinder diameter Stroke

TBTHS 063 160

TBTHS - 063 - 160 - EB

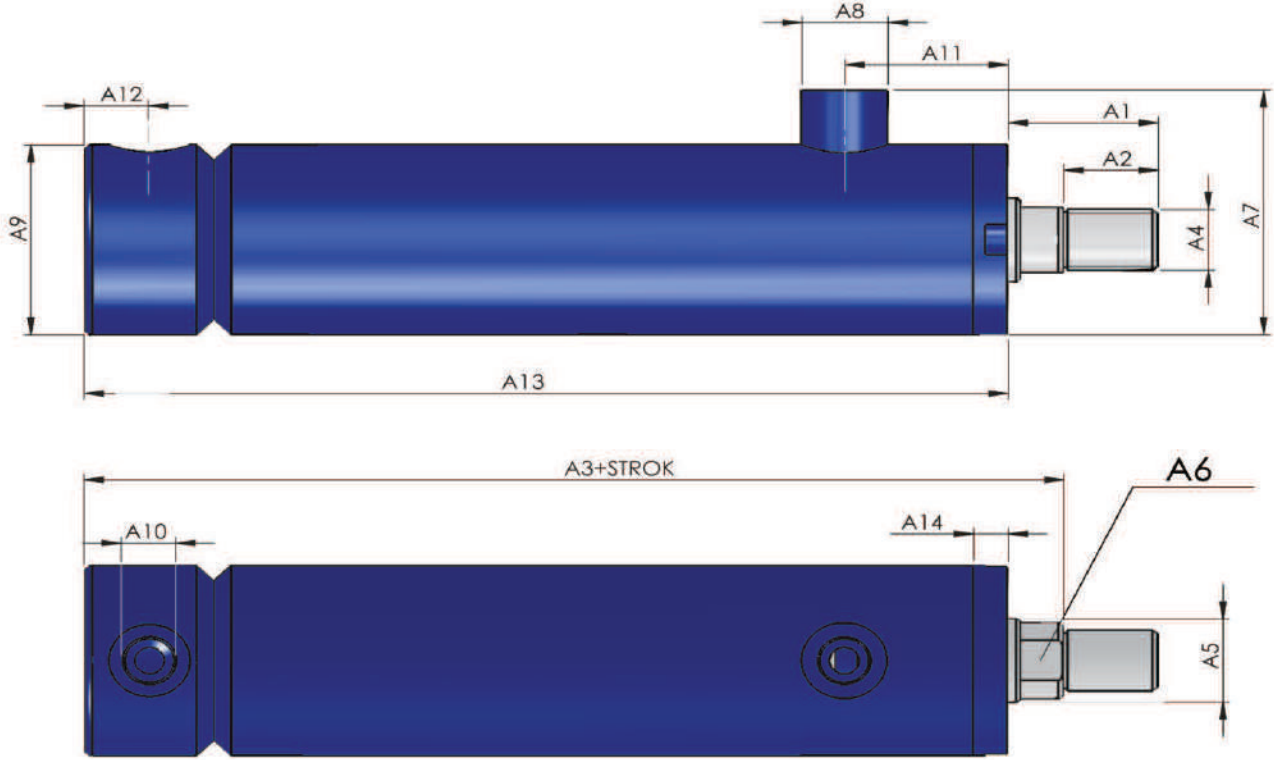


Yardımcı ekipman / Auxilliary equipment
Strok / Stroke
Silindir çapı / Cylinder diameter
Model / Model

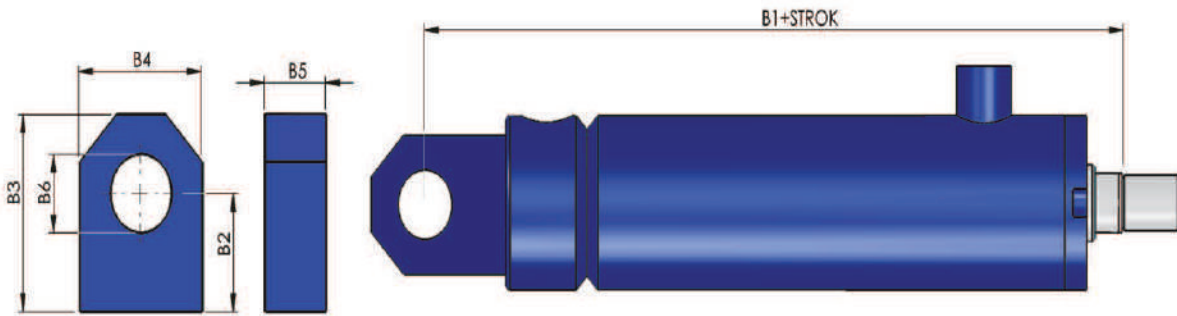
- 96 -

HİDROLİK SİLİNDİR GRUBU

BORU TİP HİDROLİK SİLİNDİR / PIPE TYPE HYDRAULIC CYLINDER



EKLEM BAĞLANTI (EB) / SWIVEL FLANGE (SF)



Ø	A1	A2	A3	A4	A5	A6	A7	A8	A9	A10	A11	A12	A13	A14	A15	B1	B2	B3	B4	B5
40	35	22	125	M16x1.5	22	17	65	20	50	1/4	40	15	115	8	155	30	50	40	20	20
50	46	31	152	M20x1.5	28	22	75	20	60	1/4	43	21	137	8	182	30	55	50	25	25
63	55	39	163	M27x2	36	30	90	25	75	3/8	50	22.5	147	10	203	40	70	60	30	32
80	65	47	209	M33x2	45	36	110	25	95	3/8	60	29	191	10	254	45	80	70	35	40
100	80	60	211	M42x2	55	46	135	30	115	1/2	82	26.5	191	12	274	53	113	100	45	50
125	90	67	229	M48x2	70	60	165	30	145	1/2	82	30	206	12	299	70	130	120	60	60
160	110	85	267	M64x2	90	75	205	35	180	3/4	102	33.5	242	12	367	100	170	160	70	80
200	115	95	282	M80x3	110	100	255	35	230	3/4	102	37.5	262	12	402	120	210	200	80	100