

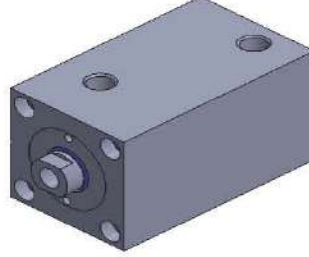
## COMPACT HİDROLİK SİLİNDİR GRUBU



### Compact Hydraulic Cylinder Group

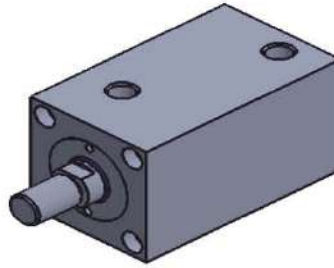
TEKMAK HCF SERİSİ HİDROLİK SİLİNDİR

Ø32--Ø80 (THCF)



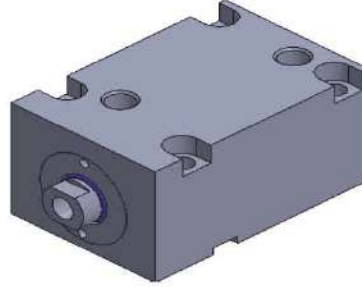
TEKMAK HCF SERİSİ ERKEK HİDROLİK SİLİNDİR

Ø32--Ø80 (THCFE)



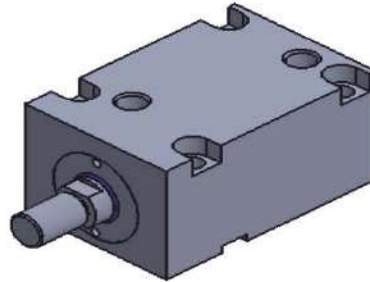
TEKMAK HCS SERİSİ HİDROLİK SİLİNDİR

Ø32--Ø63 (THCS)



TEKMAK HCS SERİSİ ERKEK HİDROLİK SİLİNDİR

Ø32--Ø63 (THCSE)

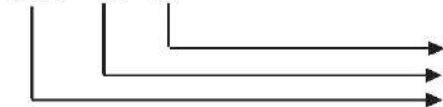


### Sipariş nasıl verilir ? / How to Order ?

Model Silindir Çapı Strok / Model Clinder Diameter Stroke

THCF 32- 50

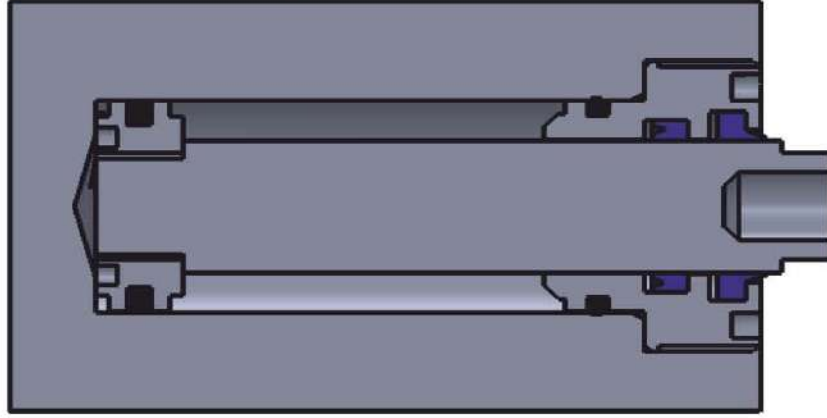
THCF - 32 - 50



Strok / Stroke  
Silindir çapı / Cylinder diameter  
Model / Model

# COMPACT HİDROLİK SİLİNDİR GRUBU

## Compact Hydraulic Cylinder Group



### TEKNİK ÖZELLİKLER

Çalışma Ortamı	: Hidrolik yağ
Çalışma sıcaklığı	: -20 / +80°C
Çalışma basıncı max.	: 140 Bar
Strok hatası	: ±0.3 mm
Hareket tip	: Çift etkili
Mil	: CK-45 sert krom kaplı
Boru	: Sıvero Döküm
Sızdırmazlık	: Poliüretan+NBR

### TECNICAL PROPERTIES

Operating enviroment	: Hidrolik oil
Operating temperature	: -20 / +80°C
Operating pressure max.	: 140 Bar
Stroke error	: ±0.3 mm
Action type	: Double action
Rod	: CK-45 hard chrome plated
Pipe	: Sıvero
Seals (Leak-proof)	: Polyurethane+ NBR

### İSTEĞE BAĞLI ÖZELLİKLER

Aşırı sıcak ortamlar için özel  
Mil ölçüsü değişebilir

### CHANGEABLE PROPERTIES

Special cylinder for extremly hot environment  
Chanceable rod dimensions

### SİLİNDİR MODELLERİ

THCF	: HCF Serisi Hidrolik Silindir
THCFE	: HCF Serisi Erkek Hidrolik Silindir
THCS	: HCS Serisi Hidrolik Silindir
THCS	: HCS Serisi Erkek Hidrolik Silindir

### CYLINDER MODELS

THCF	: HCF Series Hydraulic Cylinder
THCFE	: HCF Series Male Hydraulic Cylinder
THCS	: HCF Series Hydraulic Cylinder
THCS	: HCF Series Male Hydraulic Cylinder

### STANDART BORU ÇAPLARI

Ø32	Ø50	Ø80
Ø40	Ø63	

### STANDARD PIPE DIAMETER

Ø32	Ø50	Ø80
Ø40	Ø63	

### STANDART STROKLAR

10	20	30	40	50
----	----	----	----	----

### STANDARD STROKES

10	20	30	40	50
----	----	----	----	----

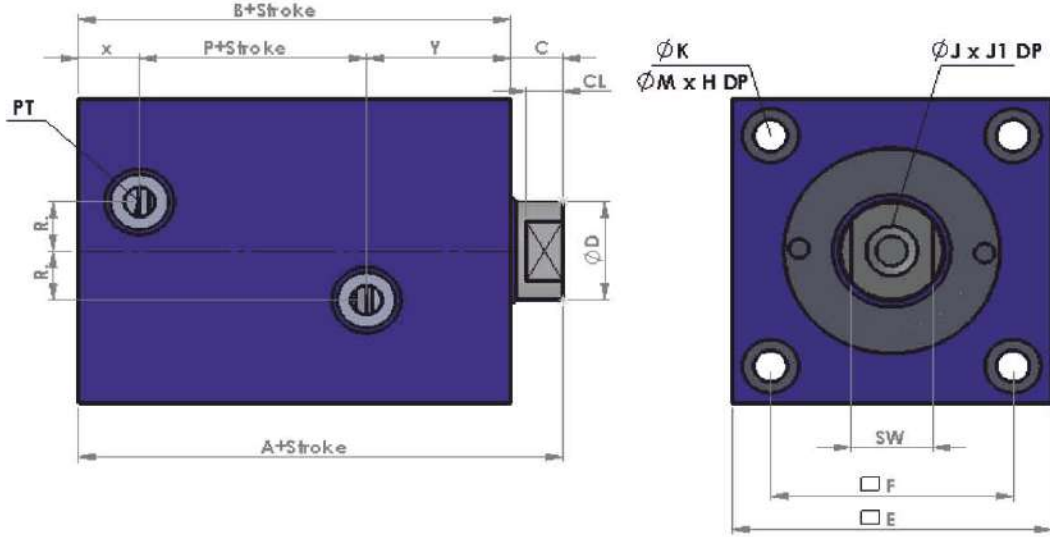
**DİKKAT :STROK MAX:100mm OLMAKTADIR. / WARNING :MAX STROKE IS 100mm.**



## COMPACT HİDROLİK SİLİNDİR GRUBU Compact Hydraulic Cylinder Group

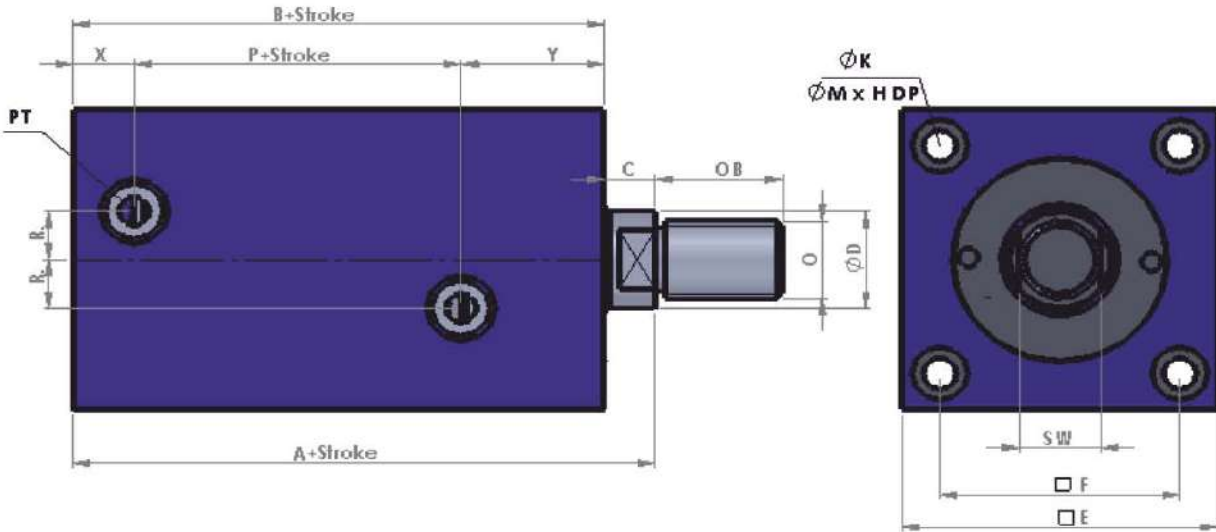
TEKMAK HCF SERİSİ HİDROLİK SİLİNDİR

(THCF)



TEKMAK HCFE SERİSİ ERKEK HİDROLİK SİLİNDİR

(THCFE)



$\phi$	A	B	C	CL	D	E	F	H	J	J1	K	M	O	OB
32	64	54	10	7	20	62	47	6.5	M12x1.75	15	6.5	11	M16x1.5	25
40	65	55	10	7	25	70	52	9	M16x2	20	9	14	M20x1.5	30
50	71	60	11	8	28	80	58	11	M20x2.5	25	11	18	M20x1.5	35
63	80	67	13	10	36	94	69	13	M27x3	35	14	20	M27x2	40
80	95	78	17	14	45	114	86	15	M30x3.5	35	16	23	M33x2	45

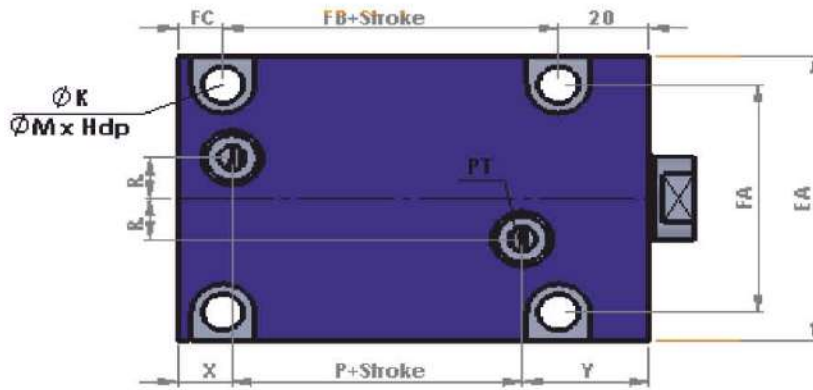
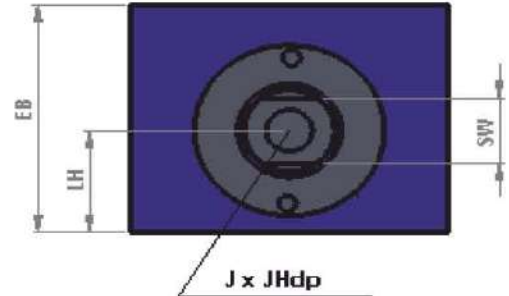
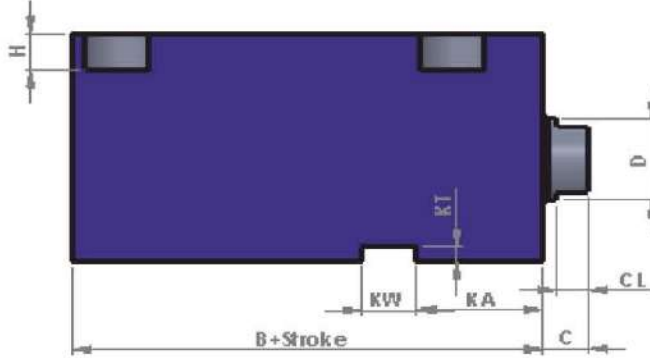
$\phi$	P	PT	R	SW	X	Y
32	14	1/4"	10	17	12	28
40	15	1/4"	10	22	12	28
50	18	1/4"	10	22	12.5	29.5
63	20	3/8"	10	30	16	31
80	27	3/8"	15	36	18	33



## COMPACT HİDROLİK SİLİNDİR GRUBU Compact Hydraulic Cylinder Group

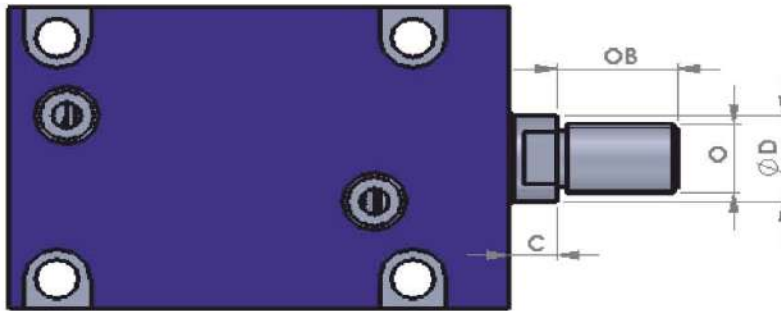
TEKMAK HCS SERİSİ HİDROLİK SİLİNDİR

(THCS)



TEKMAK HCSE SERİSİ ERKEK HİDROLİK SİLİNDİR

(THCSE)



Ø	A	B	C	CL	D	EA	EB	FA	FB	FC	H	J	JH	K	KA
32	64	54	10	7	20	70	56	56	24	10	9	M12x1.75	15	9	28
40	65	55	10	7	25	80	64	62	23	12	11	M16x2	20	11	28
50	71	60	11	8	28	94	74	74	27	13	13	M20x2.5	25	14	29
63	80	67	13	10	36	114	89	90	32	15	15	M27x3	35	16	31

Ø	KW	KT	LH	M	O	OB	P	PT	R	SW	X	Y
32	12	3.5	25	14	M16x1.5	25	14	1/4"	10	17	12	28
40	12	3.5	29	18	M20x1.5	30	15	1/4"	10	22	12	28
50	14	4	34	20	M20x1.5	35	18	1/4"	10	22	12.5	29.5
63	16	4.5	42	23	M27x2	40	20	3/8"	10	30	16	31